

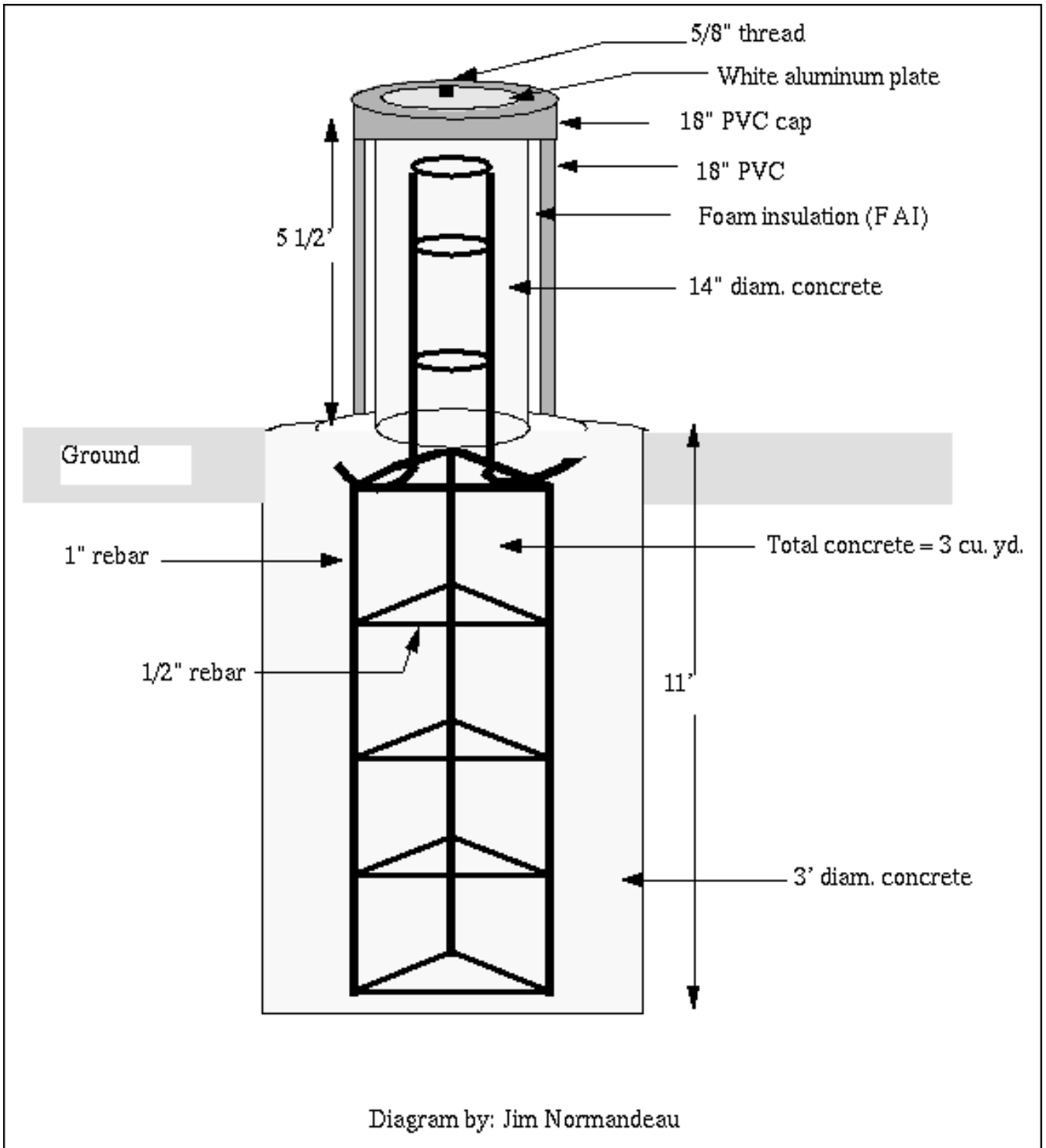
Concrete Pillar at Platteville, Colorado (diagram)

283 Beth Bartel November 12, 2008 [Concrete Pillar](#) 3265

Concrete Pillar at Platteville, Colorado

Installed by National Geodetic Survey

Contact: Richard Cohen, NGS Colorado State Advisor



Online URL: <https://kb.unavco.org/article/concrete-pillar-at-platteville-colorado-diagram-283.html>