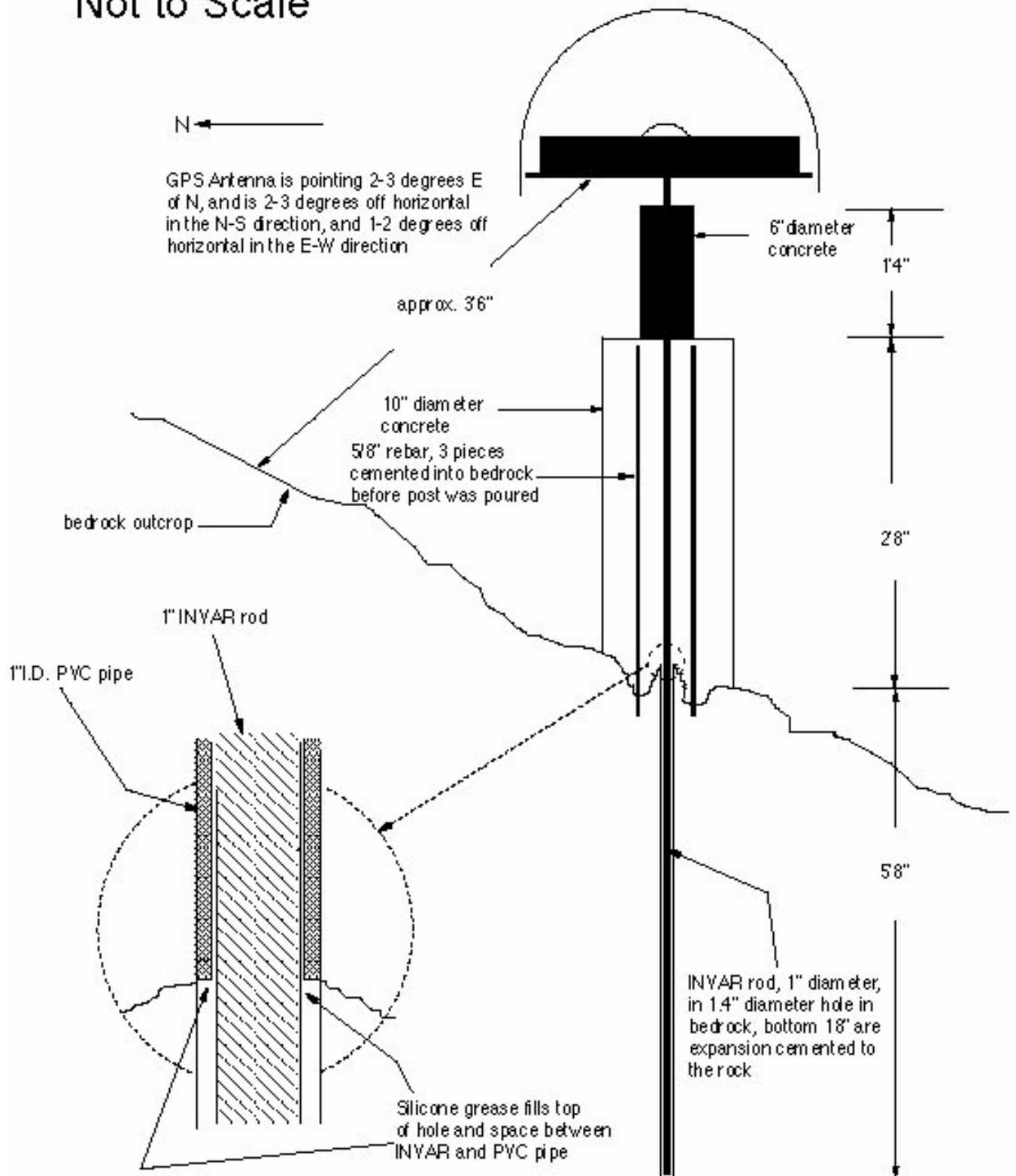


INVAR Rod Encased in Concrete Pillar at Red Butte, Utah (2 diagrams)

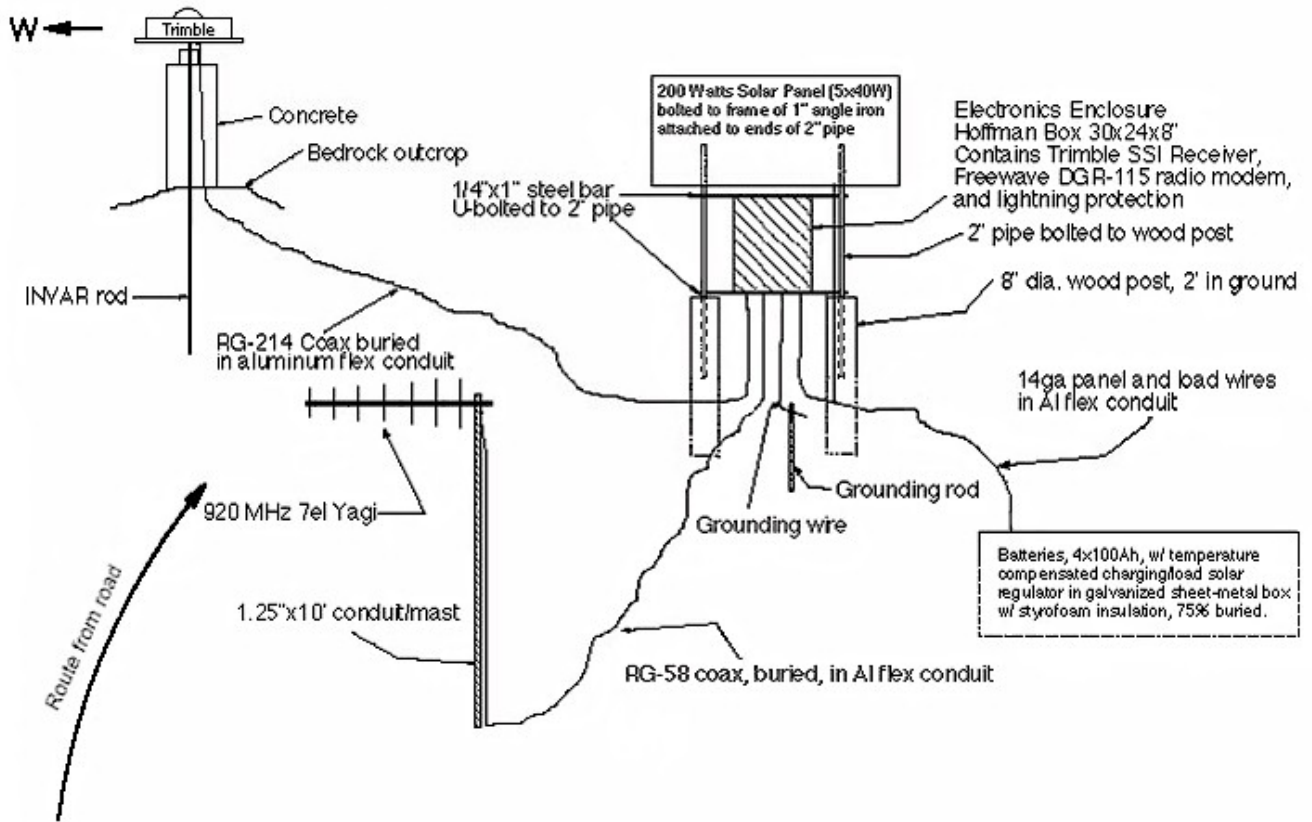
281 Beth Bartel November 24, 2008 [Concrete Pillar](#) 907

INVAR Rod Encased in Concrete Pillar at Red Butte, Utah

Schematic of RBUT continuous GPS monument Not to Scale



Schematic of RBUT (Red Butte, Utah) continuous GPS site.
Site installed fall of 1996. Not to scale.



Online URL:

<https://kb.unavco.org/article/invar-rod-encased-in-concrete-pillar-at-red-butte-utah-2-diagrams-281.html>