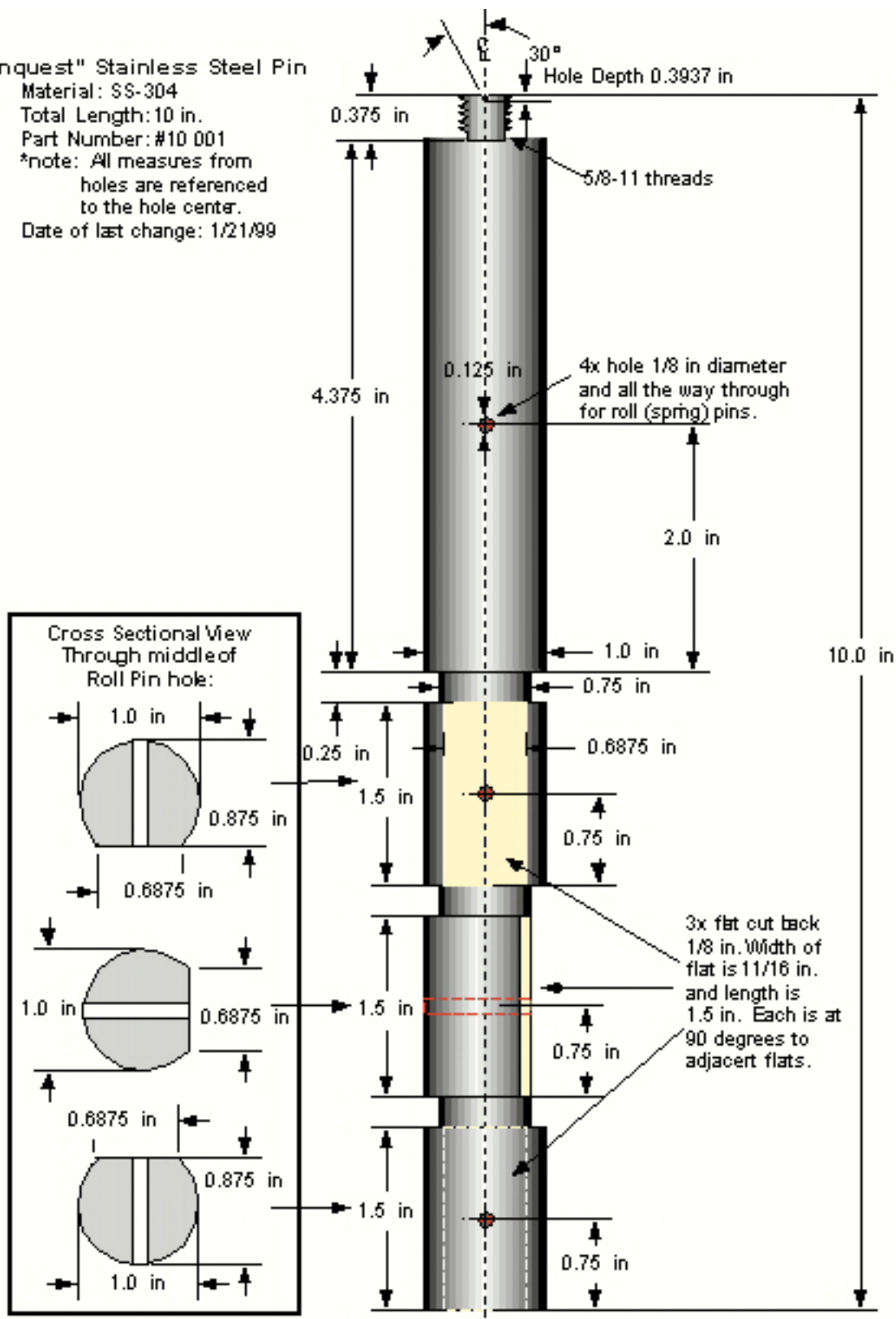


Threaded Monument Pin (Conquest Pin) (diagram)

"Conquest" Stainless Steel Pin
 Material: SS-304
 Total Length: 10 in.
 Part Number: #10 001
 *note: All measures from holes are referenced to the hole center.
 Date of last change: 1/21/99



Online URL: <https://kb.unavco.org/article/threaded-monument-pin-conquest-pin-diagram-196.html>