

# Trimble 4000-series Compatible Cable Schematic Diagrams

194 Beth Bartel March 24, 2010 [General Resources](#) 1268

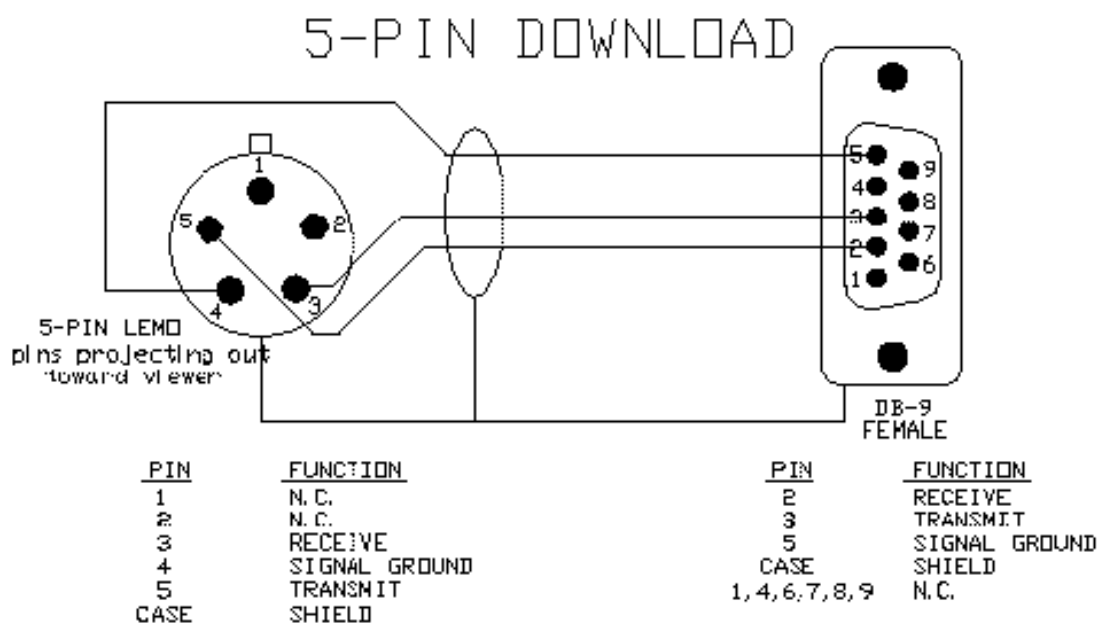
## Trimble 4000-series Compatible Cable Schematic Diagrams

The following cable diagrams present electronic schematics for those who are interested in building cables themselves.

### Trimble-Compatible Cables

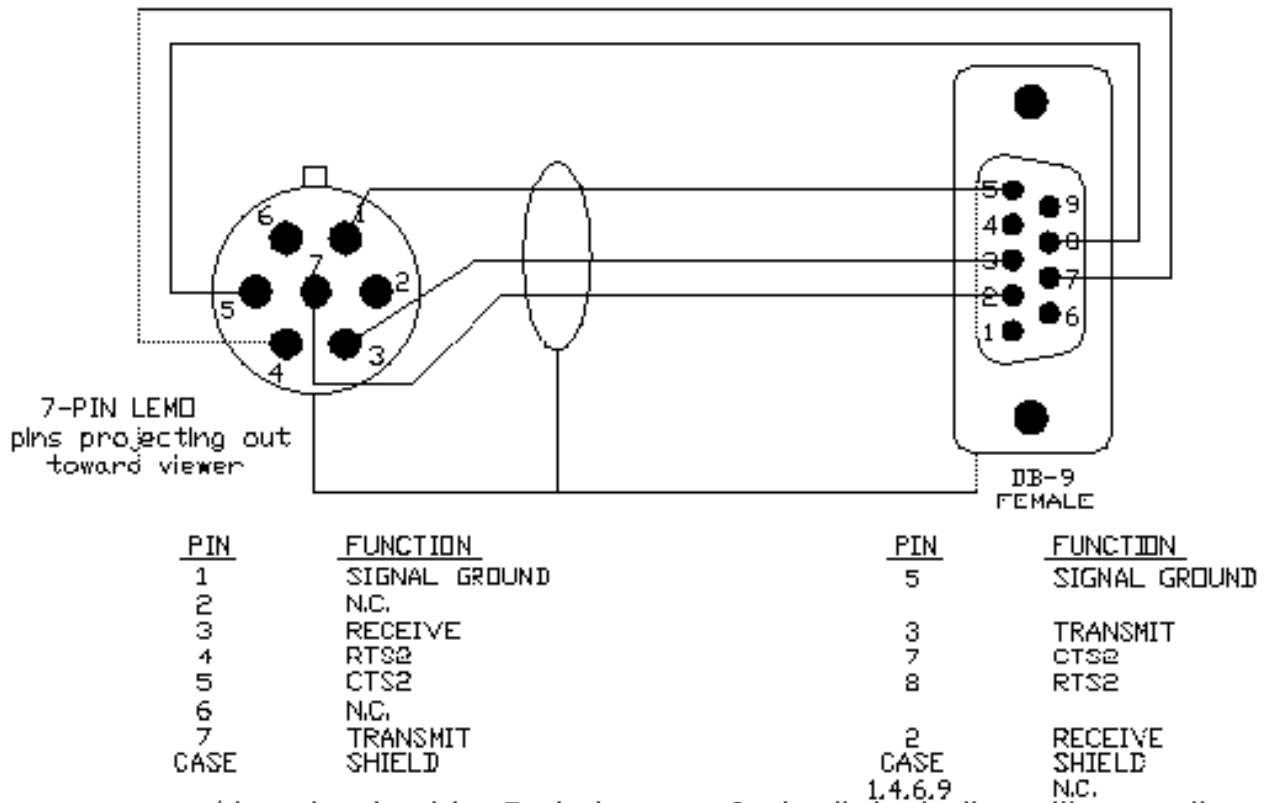
Cables compatible with Trimble 4000 series receivers and equipment:

5-pin download cable: 5-pin lemo to 9-pin db.



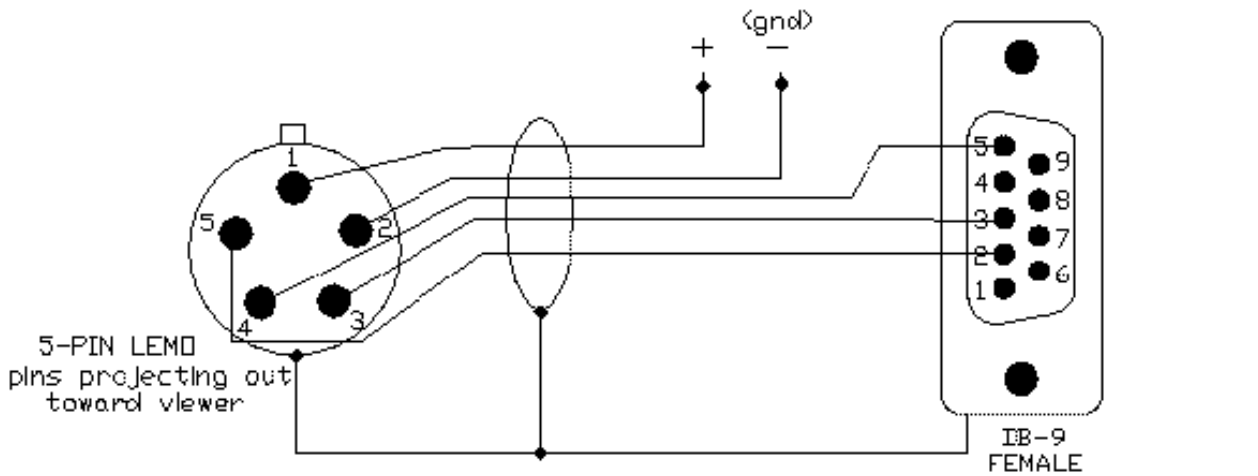
7-pin download cable: 7-pin lemo to 9-pin db.

# 7-PIN DOWNLOAD



Battery power/download cable: 5-pin lemo to 9-pin db including alligator clip leads for powering a receiver.

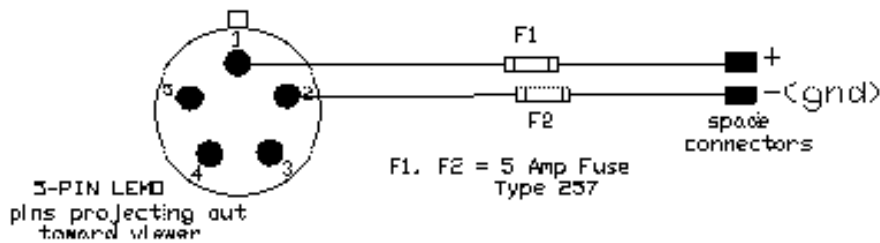
# POWER DOWNLOAD



PIN	FUNCTION	PIN	FUNCTION
1	+	2	RECEIVE
2	-	3	TRANSMIT
3	RECEIVE	5	SIGNAL GROUND
4	SIGNAL GROUND	CASE	SHIELD
5	TRANSMIT	1,4,6,7,8,9	N.C.
CASE	SHIELD		

DC battery power cable: battery clip leads to 5-pin lemo.

# BATTERY BAG



PIN	FUNCTION
1	+ (power)
2	-(ground)
3	N.C.
4	N.C.
5	N.C.
CASE	N.C.

Online URL:

<https://kb.unavco.org/article/trimble-4000-series-compatible-cable-schematic-diagrams-194.html>