

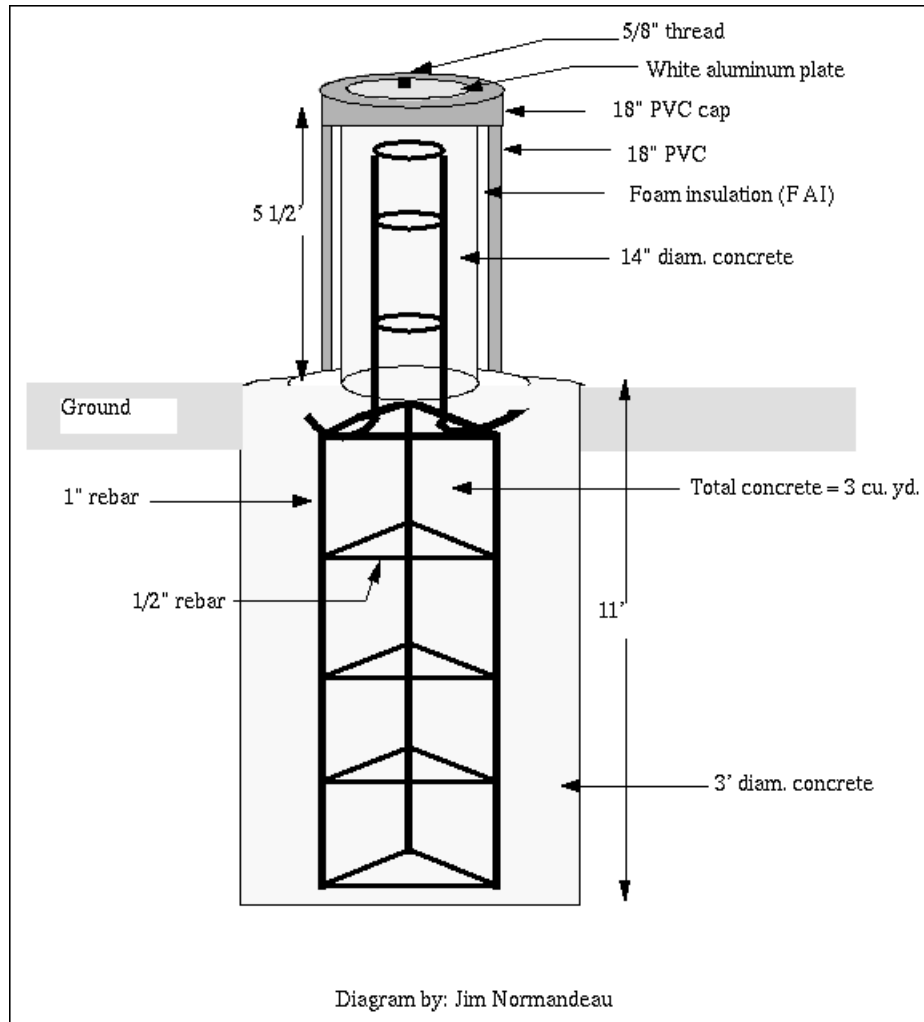
Concrete Pillar at Platteville, Colorado (diagram)

Article Number: 283 | Rating: Unrated | Last Updated: Wed, Nov 12, 2008 at 11:50 PM

Concrete Pillar at Platteville, Colorado

Installed by National Geodetic Survey

Contact: Richard Cohen, NGS Colorado State Advisor



Posted by: **Beth Bartel** - Wed, Nov 12, 2008 at 11:50 PM. This article has been viewed 4370 times.

Online URL: <https://kb.unavco.org/kb/article/concrete-pillar-at-platteville-colorado-diagram-283.html>