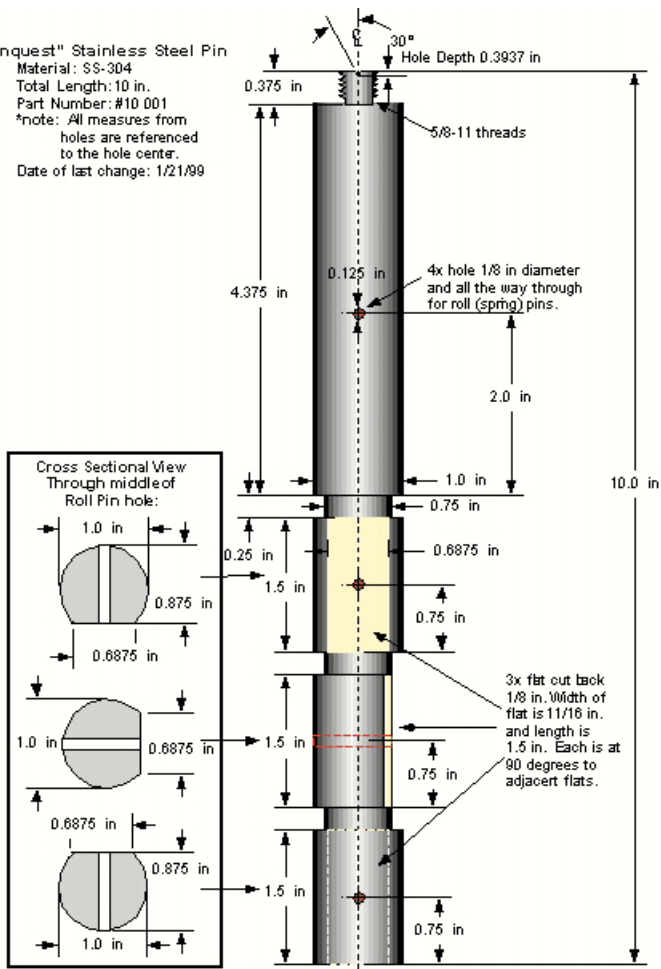


Threaded Monument Pin (Conquest Pin) (diagram)

Article Number: 196 | Rating: Unrated | Last Updated: Tue, Sep 15, 2009 at 8:48 PM

"Conquest" Stainless Steel Pin
Material: SS-304
Total Length: 10 in.
Part Number: #10 001
*note: All measures from
holes are referenced
to the hole center.
Date of last change: 1/21/99



Posted by: **Beth Bartel** - Tue, Sep 15, 2009 at 8:48 PM. This article has been viewed 26267 times.

Online URL: <https://kb.unavco.org/kb/article/threaded-monument-pin-conquest-pin-diagram-196.html>